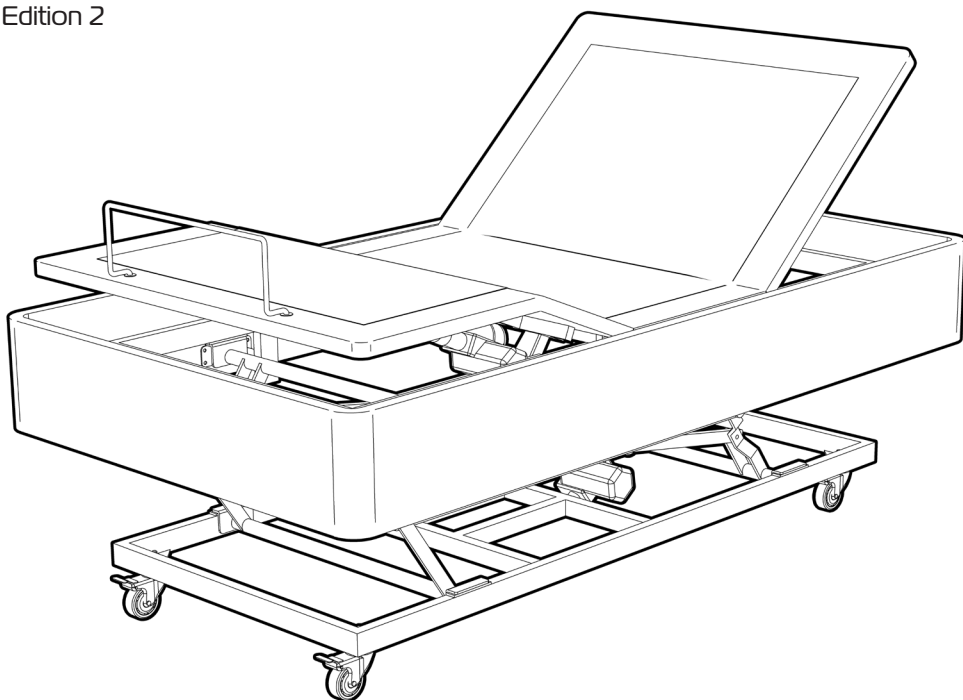


REDGUM BRAND
Daily Living and
Lifestyle Products

COMFORT LUX MEDICAL HIGH LOW KING SINGLE BED

RG66BHLH

Edition 2

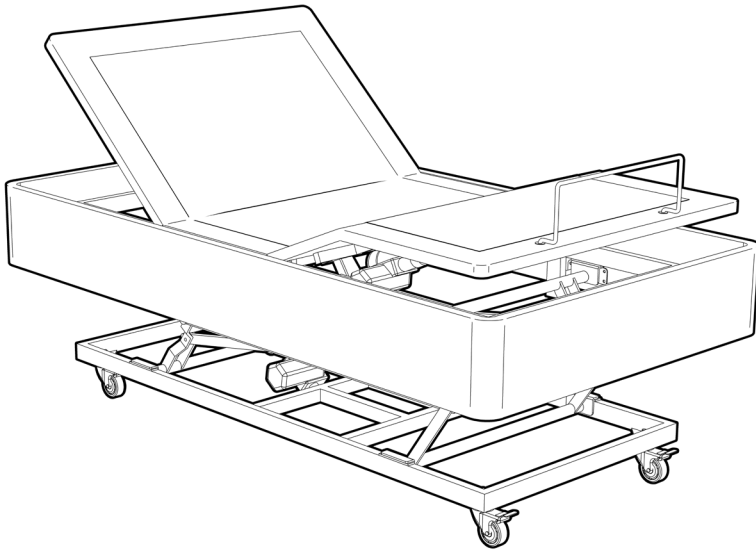


USER MANUAL

Please read and keep these instructions

ASK FOR THE BRAND

redgumbrand.com.au



REDGUM BRAND

*Daily Living and
Lifestyle Products*

REDGUM Brand owns the copyright to the Comfort Lux Medical High Low King Single Bed user manual. Any information contained in this user manual shall not be photocopied, reproduced or translated into any other languages without the prior written consent of REDGUM Brand.

REDGUM Brand strives to provide the highest quality products possible. Products are subject to change without notice.

© Copyright **REDGUM Brand**

FOR-DE
GROUP PTY LTD

REDGUM Brand is part of **FOR-DE Group Pty Ltd**

ASK FOR THE BRAND

redgumbrand.com.au

CONTENTS

1. **INTRODUCTION** - INTENDED USE
2. **PRODUCT OVERVIEW** - FEATURES / SPECIFICATIONS
3. **ASSEMBLY** - UNPACK and INSPECT SUPPLIED PARTS
4. **ASSEMBLY** - FIT CASTORS
5. **ASSEMBLY** - FIT MATTRESS RETAINER
6. **ASSEMBLY** - PLUG IN POWER CABLE
7. **ASSEMBLY** - FIT BATTERIES (When required)
8. **OPERATION** - HANDSET CONTROLS
9. **USAGE GUIDELINES** - SAFETY PRECAUTIONS
10. **PRODUCT CARE** - INSPECTIONS / CLEANING
11. **WARRANTY**
12. **COMFORT LUX OPTIONS**

INTRODUCTION

Thank you for purchasing this **REDGUM Brand** product.

If you have any issues or questions about the Comfort Lux Medical High Low King Single Bed please contact your supplier or REDGUM Brand direct:

T: **+61 8 9248 4180**

E: **orders@for-de.com.au**

A: **1 Business Way, Malaga, Western Australia 6090**

INTENDED USE

This product has limitations and should be used in accordance to these guidelines. Failure to follow these guidelines may result in damage to the product and injury to the user. It is the responsibility of the user to ensure the suitability of this product for its intended use. The user should consult their appropriate healthcare professional if unsure of the correct product usage for their unique circumstances.

Only use the Comfort Lux Medical High Low King Single Bed for its intended purpose which is as an single person indoor bedding solution that can adjust to suit the users individual requirements.

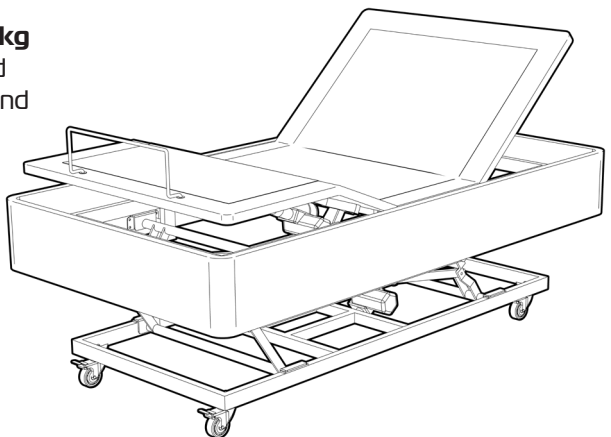
IMPORTANT NOTE

This equipment **MUST** be assembled by a competent person.

We recommend that 2 people work together when positioning the bed on its side as required for assembly.

Maximum User Weight: 200kg

Exceeding the weight limit could cause damage to the product and could put the user at risk.



1.

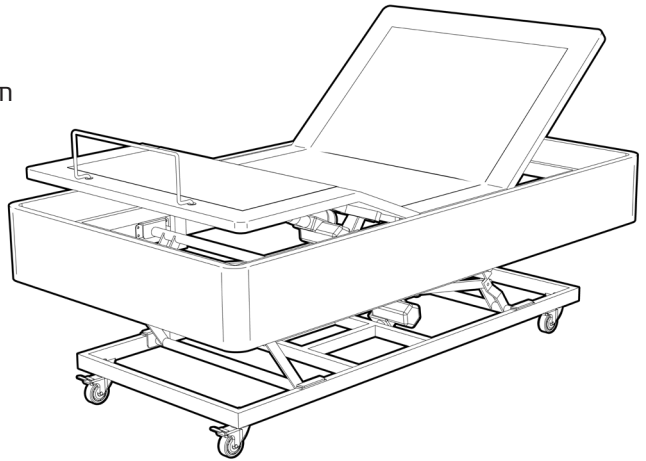
ASK FOR THE BRAND

redgumbrand.com.au

PRODUCT OVERVIEW

FEATURES

- 4 section mattress platform
- Mattress retainer
- Adjustable backrest
- Adjustable knee break
- Hard wired handset with lock out function
- CPR function
- Quality electrics
- Battery backup
- 4 total locking castors



IMPORTANT NOTE:

Bed to be used in conjunction with the following mattresses (not supplied with bed):

200mm COMFORT LUX King Single Bed Mattress (RG66M200)

250mm COMFORT LUX King Single Bed Mattress (RG66M250)

Refer to page 12 for information on COMFORT LUX options range.

SPECIFICATIONS (All dimensions shown are nominal)

Overall: **2050mm** (L) x **1120mm** (W) x **370mm** (H - at lowest setting)

Height adjustment: **370 - 690mm** (Top of mattress platform to floor)

Backrest Platform: **710mm** (L) x **1050mm** (W) x **0° - 70°** (Angle range)

Mid Platform: **380mm** (L) x **1050mm** (W)

Knee Break Platform: **300mm** (L) x **1050mm** (W) x **0° - 40°** (Angle range)

Calf support Platform: **500mm** (L) x **1050mm** (W)

Mobility Wheel Diameter: **Ø75mm Total lock brakes**

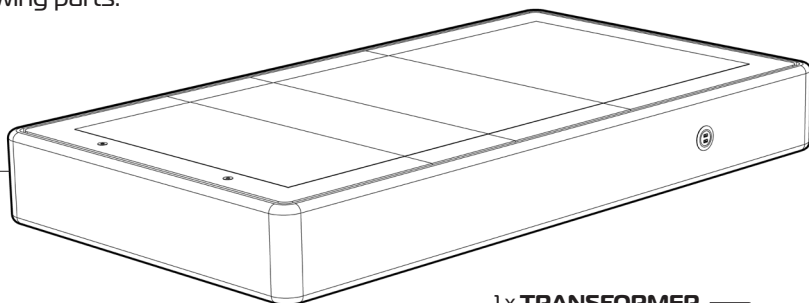
Product Weight: **116kg**

Maximum User Weight: **200kg**

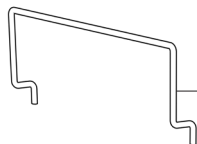
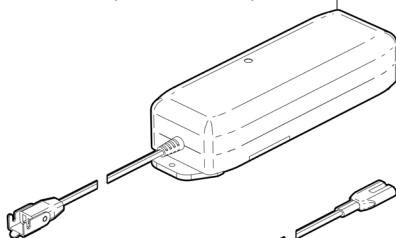
ASSEMBLY - UNPACK and INSPECT SUPPLIED PARTS

Ensure you have been supplied with the following parts:

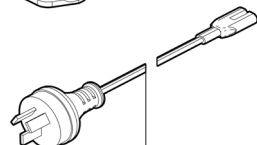
1 x **BED**



1 x **TRANSFORMER**
(not shown to scale)

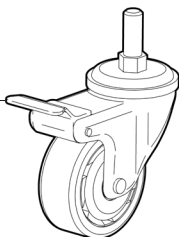


1 x **MATTRESS RETAINER**



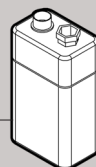
1 x **POWER CABLE**
(not shown to scale)

4 x **CASTOR**
(not shown to scale)



**REQUIRED
BUT NOT
SUPPLIED**

2 x **9V BATTERY**
(not shown to scale)



IMPORTANT NOTE

Remove all the protective wrapping and check all the parts. If you are missing any parts, see any damage or suspect a fault, **DO NOT USE YOUR PRODUCT** and contact your supplier for support.

3.

ASK FOR THE BRAND

redgumbrand.com.au

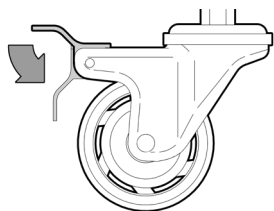
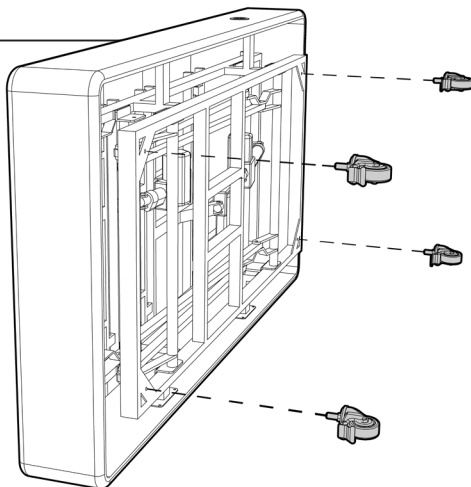
ASSEMBLY - FIT CASTORS

Please follow these steps to fit the castors to the bed as required:

IMPORTANT NOTE:

We recommend that 2 people work together when manoeuvring the bed and that one person holds the bed while the other attaches the castors.

1. Position the bed on its side as shown.



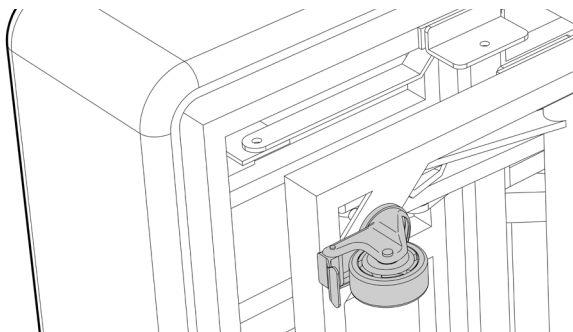
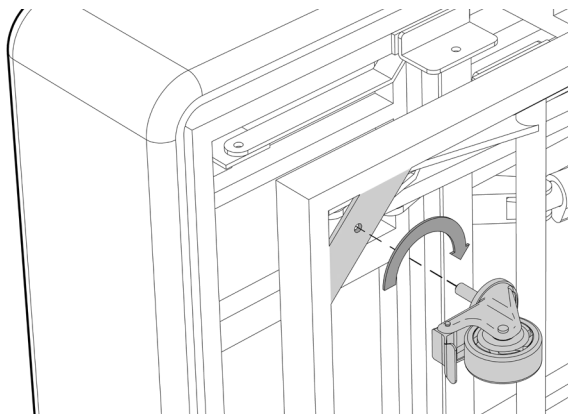
2. Lock the castor by pushing down on the lever.

3. Screw the castor into the mounting plate on bed base frame.

4. Repeat the process to attach all 4 castors.

5. Using 2 people lift and rotate the bed onto the castors.

6. Position the bed in the required location and lock all four castors prior to use.

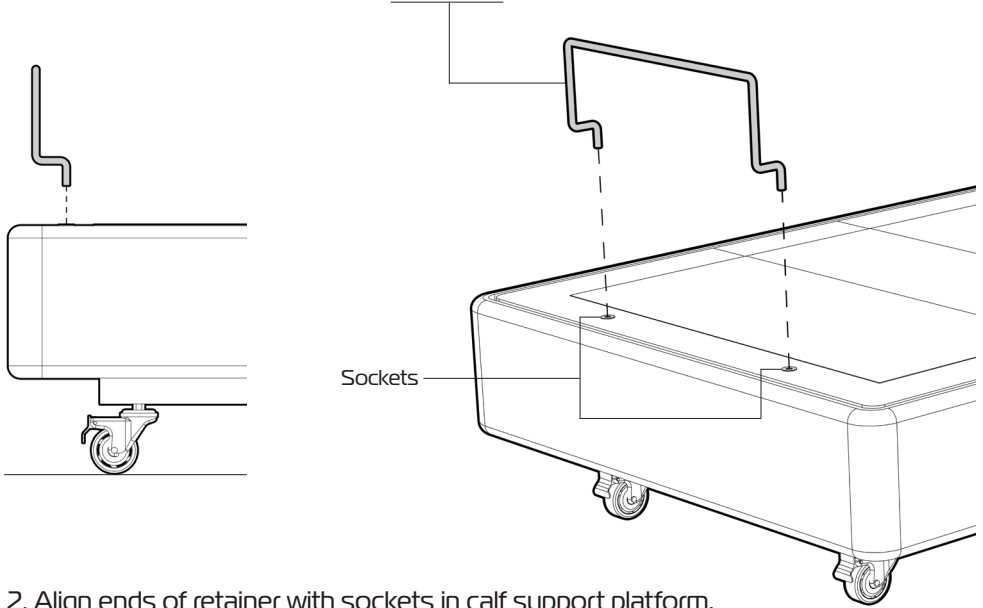


4.

ASSEMBLY - FIT MATTRESS RETAINER

Please follow these steps to fit the mattress retainer to the bed as required:

1. Orientate the mattress retainer as shown.

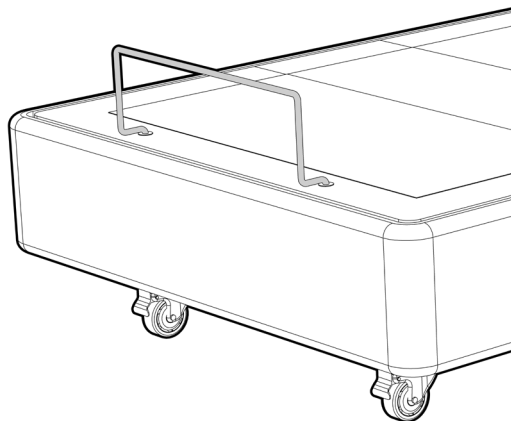


2. Align ends of retainer with sockets in calf support platform.

3. Push both ends of mattress retainer into sockets.

Note:

Check to ensure mattress retainer has been fully inserted prior to placing mattress on bed.



5.

ASK FOR THE BRAND

redgumbrand.com.au

ASSEMBLY - PLUG IN POWER CABLE

Please follow these steps to plug in the bed cables and supply mains power to the bed as required:

1. Locate the power cable that is connected to the underside of the bed

2. Align pins in cable with slots on cable that is connected to the transformer.

3. Push cables together and hold in place with retaining clip.

4. Plug power cable into transformer as shown.

5. Locate the nearest mains power point and plug in the power cable.

It is recommended you plug the bed directly into mains power and avoid using an extension lead where possible.

6.

ASSEMBLY - FIT BATTERIES (When required)

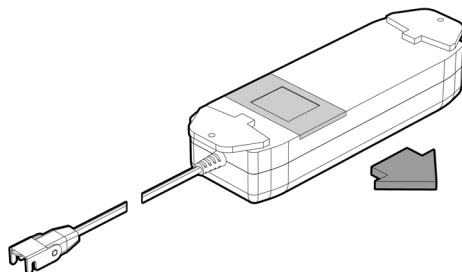
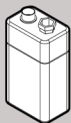
Please follow these steps to fit the batteries into the transformer as required:

IMPORTANT NOTE:

Only install batteries into transformer if the mains power is not working and an essential bed function is required.

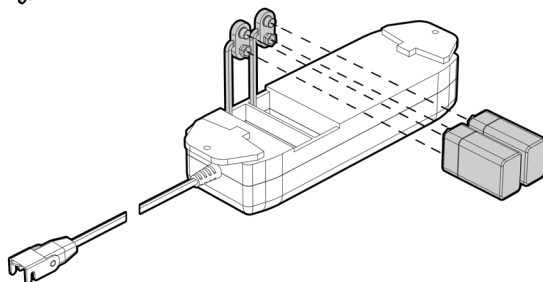
Remove the batteries from transformer once mains power is in use as they will continue to draw power.

2 x 9V batteries are required but not supplied.



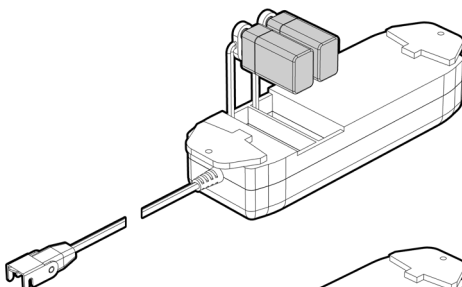
1. Flip transformer over as shown.

2. Slide off cover.



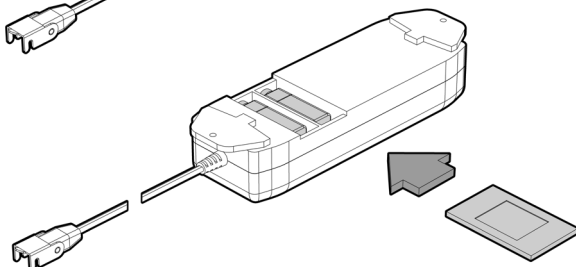
3. Pull out both battery cables.

4. Attach both batteries to cables.



5. Put batteries and cables back into transformer.

6. Slide cover back on.



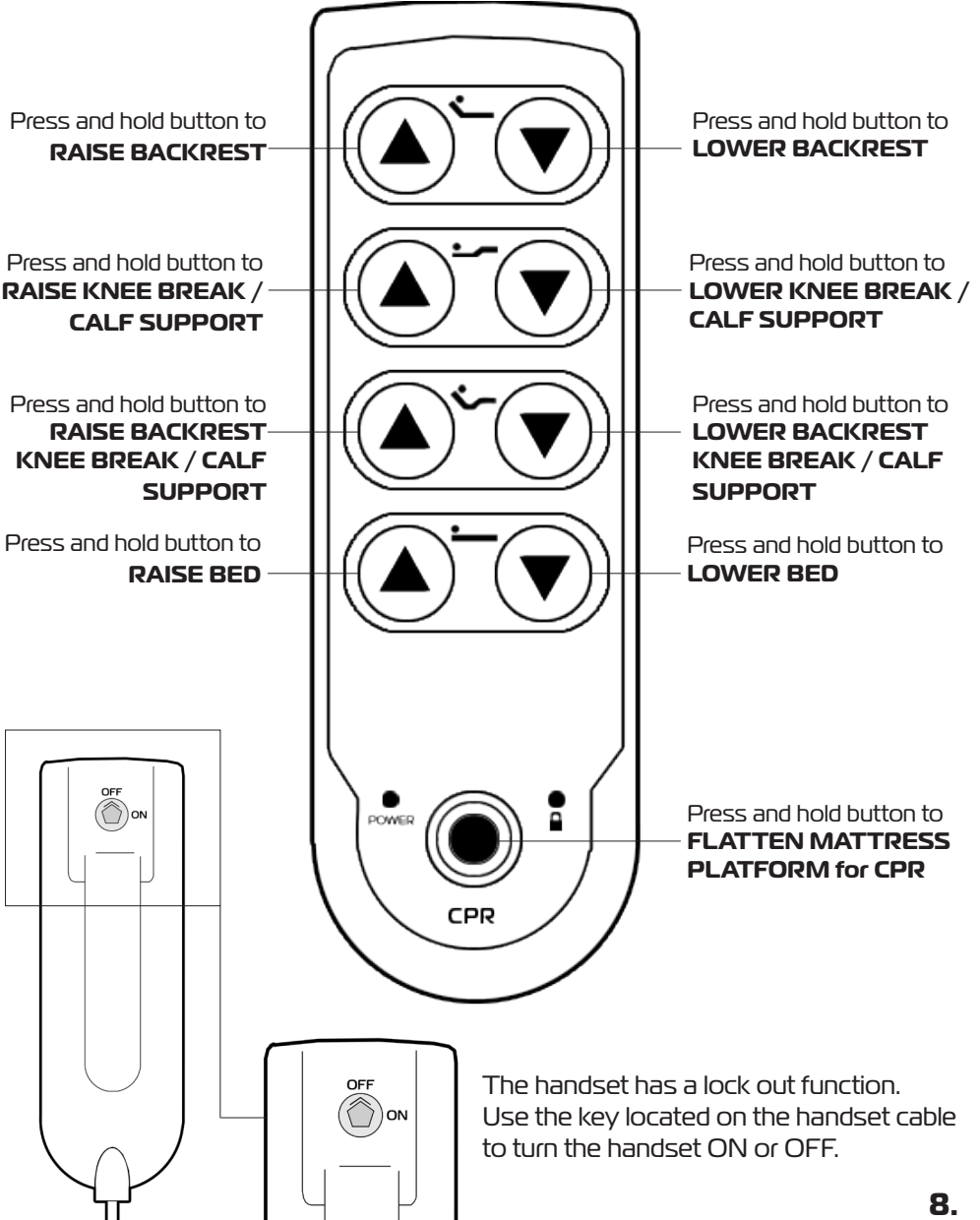
7.

ASK FOR THE BRAND

redgumbrand.com.au

OPERATION - HANDSET CONTROLS

Depress the relevant button to perform the required bed operation:



USER GUIDELINES - SAFETY PRECAUTIONS

Please follow these guidelines to get the optimal benefit from Comfort Lux Medical High Low King Single Bed. Failure to follow these guidelines may result in damage to the bed and put the user at risk.

Maximum User Weight is **200kg**.

Bed is designed for single person use only.

Pinch points exist on the bed.

Keep clear of all moving parts at all times when in motion.

Do not store anything under bed.

Do not jump on or abuse the bed.

Do not allow anyone to sit on the backrest or calf support platform when raised or being raised.

Only depress one button at a time on the handset.

Do not constantly push the buttons on the controller when not for their intended use.

Always use a mattress protector to avoid accidental soiling.

Remove the mattress cover and wash if required.

Do not wash or dry clean the mattress.

To prevent heavy wear sections on the mattress you need to turn your mattress end to end every 2 weeks during the first 4 months. After your first 4 months turn the mattress end to end every 3 months.

Mattresses are one sided and cannot be flipped over.

Lock all four castors when the bed is in use.

Only the occupant or a qualified carer should operate the bed.

Do not modify or fit any parts or accessories to the Comfort Lux Medical High Low King Single Bed that are manufactured by another company.

To do so will void your warranty and may seriously compromise your safety.

If you are unsure about any of these precautions please contact your local distributor or **REDGUM Brand** direct for further information.

9.

ASK FOR THE BRAND

redgumbrand.com.au

PRODUCT CARE - INSPECTIONS / CLEANING

INSPECTIONS

We suggest that you visually check the Comfort Lux Medical High Low King Single Bed periodically for signs of damage or wear prior to use. Please check all aspects of the bed paying particular attention to the following areas:

Framework – Ensure the frame is not damaged or distorted.

Electrics - Handset / Cabling / Transformer / Actuators (Motors).

Mattress – Look for deformation / tears / stitch fraying.

Fabric surround – Ensure all coverings are not ripped or torn.

Overall check that no components are loose or worn and bed operates as required.



Withdraw the COMFORT LUX HIGH LOW KING SINGLE BED immediately if you suspect damage or any other fault. If in any doubt, please do not issue or use, but immediately contact your supplier for service support.

CLEANING

NOTE: Always disconnect the bed from the mains power prior to cleaning.

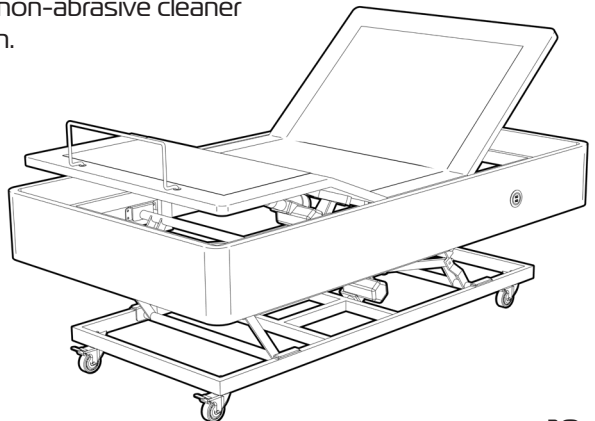
DO NOT expose any of the bed electrics to any moisture.

Keep these components dry at all times and away from any temperature extremes.

Clean the bed coverings using a non-abrasive cleaner or mild detergent with a soft cloth.

Spot clean any spills as soon as possible to reduce the amount of ingress into the covering and seams.

Abrasive cleaners or abrasive cleaning pads could damage the bed and coverings and should not be used.



WARRANTY

REDGUM Brand Comfort Lux Medical High Low King Single Bed is covered by the **following warranty** from the date of purchase:

10 years: Framework

3 years: Electric Components

5 years: Mattress (Against faulty workmanship and/or faulty materials)

During the guarantee period, if the company is satisfied there is a genuine fault, we will repair or replace the product at our earliest convenience. There may be freight charges if product needs to be returned to your place of purchase.

The guarantee does not extend to the following:

- Fabric (including stains, soiling, burns and normal wear).
- Items on inspection that are deemed unsanitary
- Products missing the contents label
- Use of mattress on a bed frame with insufficient structural support
- Body indentations less than 35mm
- Normal wear and tear, or damage caused by abuse.
- Failure to comply with manufacturer care and maintenance instructions.

In order for this guarantee to be valid, you must:

- Be the original purchaser
- Provide a copy of the original invoice.
- Not misuse the product.

If the product has any manufacturing faults during this period contact the place of purchase for assessment. Failures as a result of **ACCIDENTAL MISUSE, MODIFICATION OR WEAR AND TEAR ARE NOT COVERED BY THIS WARRANTY.**

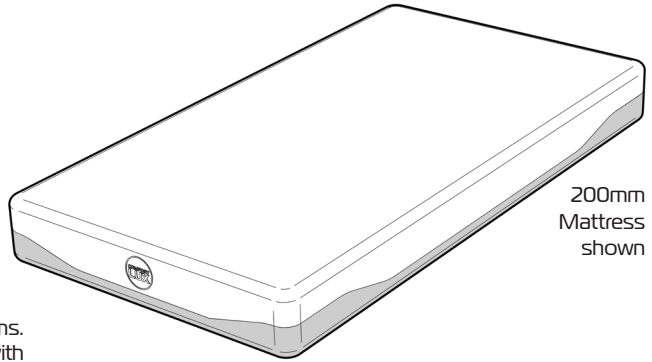
Our goods come with guarantees that cannot be excluded under the Australian Consumer Law. You are entitled to a replacement part for a major failure and for compensation for any other reasonably foreseeable loss or damage. You are entitled to have the goods repaired or replaced if the goods fail to be of acceptable quality and failure does not amount to major failure.

COMFORT LUX OPTIONS

REDGUM Brand offer a range of COMFORT LUX options to accompany the bed:

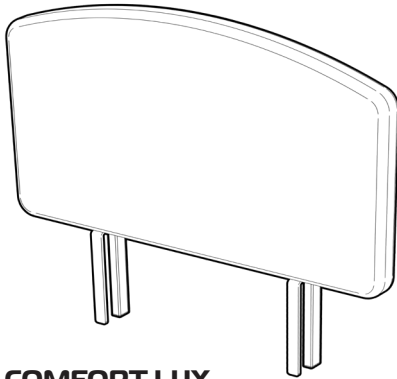
COMFORT LUX
King Single
200mm Bed Mattress
RG66M200

COMFORT LUX
King Single
250mm Bed Mattress
RG66M250



200mm
Mattress
shown

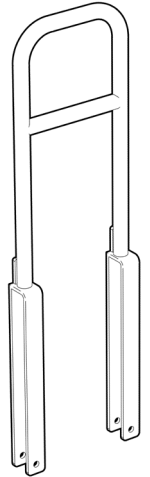
- Quality memory foams / gel foams.
- Hinged internal foams to assist with mattress profile when bending.
- Removable mattress cover.
- Non slip fabric on underside.



COMFORT LUX
Head Board
RG66HB

COMFORT LUX
180mm Bed Rail
RG66R180
(Shown)

COMFORT LUX
350mm Bed Rail
RG66R350



Please refer to relevant product sheet for further information on Comfort Lux options.

If you have any questions please contact your local distributor or REDGUM Brand direct:

T: **+61 8 9248 4180** E: **orders@for-de.com.au**

A: **1 Business Way, Malaga, Western Australia 6090**

W: **redgumbrand.com.au**

12.

ASK FOR THE BRAND

redgumbrand.com.au

DISTRIBUTOR:

REDGUM BRAND
*Daily Living and
Lifestyle Products*



Proudly
Australian Owned
and Operated

ASK FOR THE BRAND

redgumbrand.com.au