

**REDGUM brand**  
ASSISTED LIVING PRODUCTS

AUSTRALIAN  
Owned  
Operated



# OVER BED CHAIR TABLE

RG626

Edition 1



## USER MANUAL

---

Please read and keep these instructions

*ASK FOR THE BRAND*

[redgumbrand.com.au](http://redgumbrand.com.au)



# REDGUM brand

## ASSISTED LIVING PRODUCTS

**REDGUM Brand** owns the copyright to the Over Bed Chair Table user manual. Any information contained in this user manual shall not be photocopied, reproduced or translated into any other languages without the prior written consent of REDGUM Brand.

**REDGUM Brand** strives to provide the highest quality products possible. Products are subject to change without notice.

© Copyright **REDGUM Brand**



**REDGUM Brand** is part of **FOR-DE Group Pty Ltd**

*ASK FOR THE BRAND*

[redgumbrand.com.au](http://redgumbrand.com.au)

# CONTENTS

---

1. INTRODUCTION
2. PRODUCT OVERVIEW
3. UNPACK and INSPECT SUPPLIED PARTS
4. FIT CASTORS
5. FIT UPRIGHT
6. FIT PLATFORM
7. FIT SIDE PLATFORM
8. ADJUST BASE
9. ADJUST PLATFORM HEIGHT
10. ADJUST PLATFORM ANGLE
11. INSPECTIONS / CLEANING
12. WARRANTY



# INTRODUCTION

---

Thank you for purchasing this REDGUM Brand product.

If you have any issues or questions about the Over Bed Chair Table please contact your supplier or REDGUM Brand direct:

T: **+61 8 9248 4180**

E: **orders@for-de.com.au**

A: **1 Business Way, Malaga, Western Australia 6090**

## INTENDED USE

This product has limitations and should be used in accordance to these guidelines. Failure to follow these guidelines may result in damage to the product and injury to the user. It is the responsibility of the user to ensure the suitability of this product for its intended use. The user should consult their appropriate healthcare professional if unsure of the correct product usage for their unique circumstances.

Only use this Over Bed Chair Table for its intended purpose which is as a mobile platform that can be adjusted in height, platform angle and positioned to suit the users individual requirements.

### IMPORTANT NOTE

This equipment **MUST** be assembled by a competent person.

**Maximum Product loading: 10kg**

Exceeding the weight limit could cause damage to the product and could put the user at risk.

1.

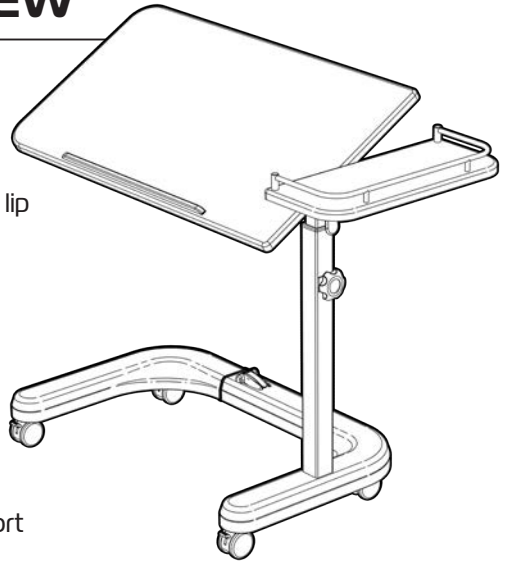
*ASK FOR THE BRAND*

**redgumbrand.com.au**

# PRODUCT OVERVIEW

## FEATURES

- Large working surface
- Height adjustable platform with retaining lip
- Tilt top with various angle settings
- Fixed side platform with retainer
- Width adjustable base
- Low clearance base to fit under beds
- Swivel castors
- Can be flat packed for storage or transport



## SPECIFICATIONS (All dimensions shown are nominal)

Large Platform: **750mm (L) x 400mm (W)**

Side Platform Depth: **180mm (L) x 400mm (W)**

Platform Height: **700 - 980mm**

Base Frame: **550 - 780mm (W-internal) x 115mm (H)**

Castors: **Ø50mm plastic twin wheel locking castors**

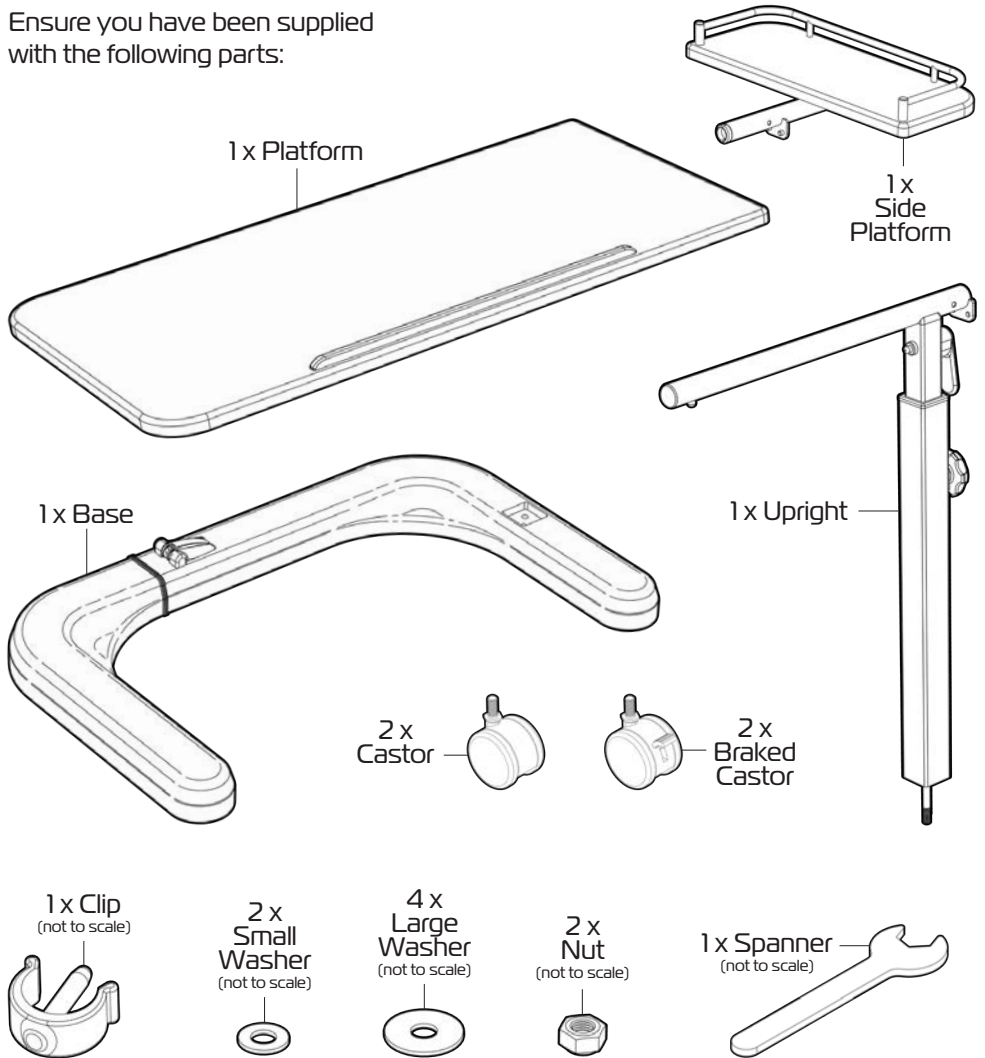
Product Weight: **12kg**

Maximum Weight Loading: **10kg - evenly distributed**

Please contact **REDGUM Brand** if you would like any further information on your Over Bed Chair Table.

# UNPACK and INSPECT PARTS

Ensure you have been supplied with the following parts:



Please take care when unpacking the product and removing the protective packing materials. Check the product for any visible damage. If you see any damage or suspect a fault, **DO NOT USE THE PRODUCT** and contact your supplier for support. Please recycle packaging accordingly :)

3.

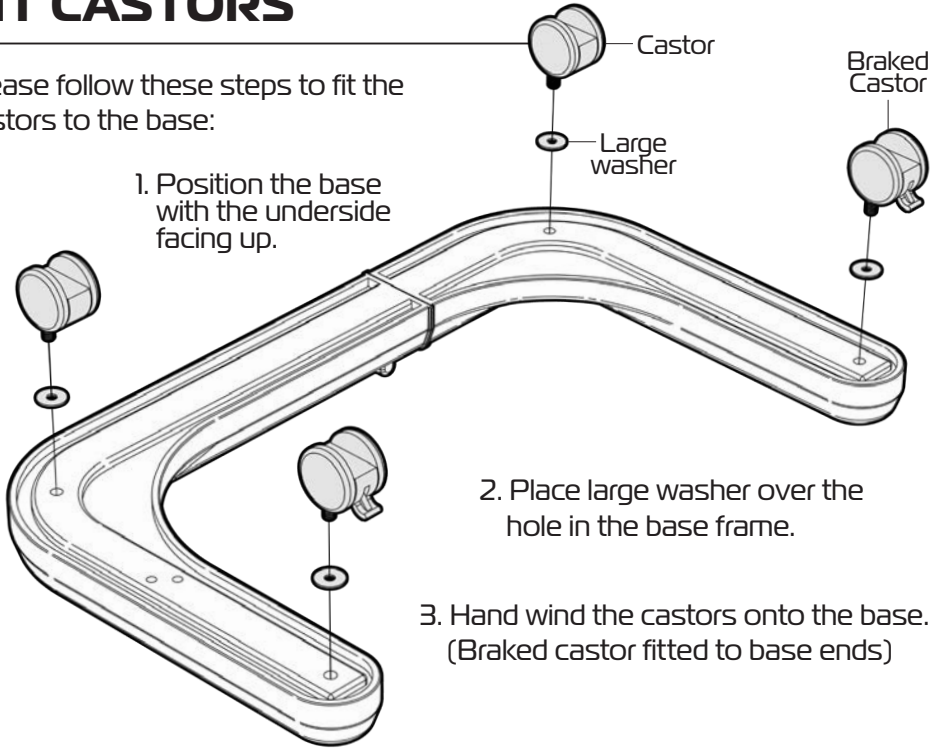
ASK FOR THE BRAND

redgumbrand.com.au

# FIT CASTORS

Please follow these steps to fit the castors to the base:

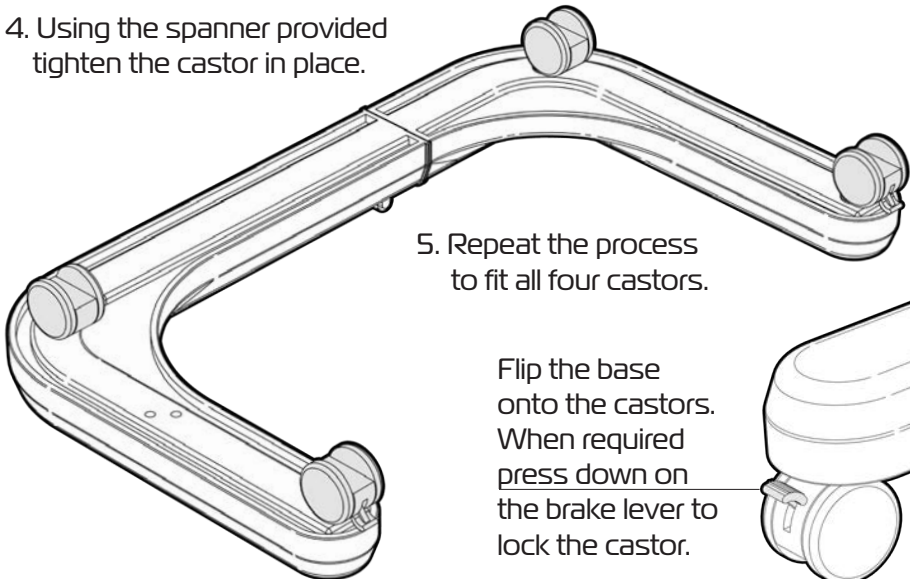
1. Position the base with the underside facing up.



2. Place large washer over the hole in the base frame.

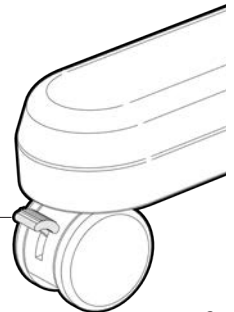
3. Hand wind the castors onto the base.  
(Braked castor fitted to base ends)

4. Using the spanner provided tighten the castor in place.



5. Repeat the process to fit all four castors.

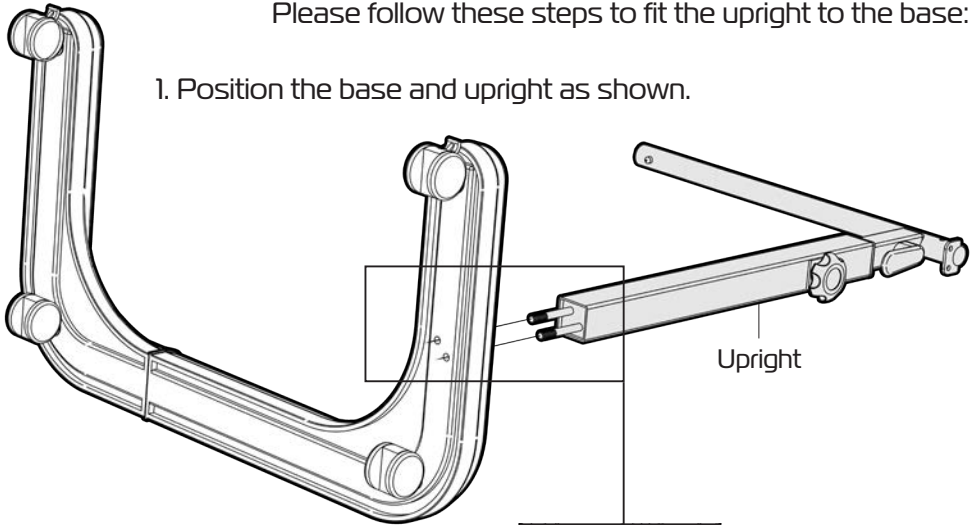
Flip the base onto the castors.  
When required press down on the brake lever to lock the castor.



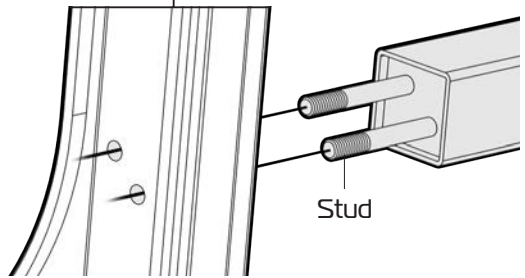
# FIT UPRIGHT

Please follow these steps to fit the upright to the base:

1. Position the base and upright as shown.



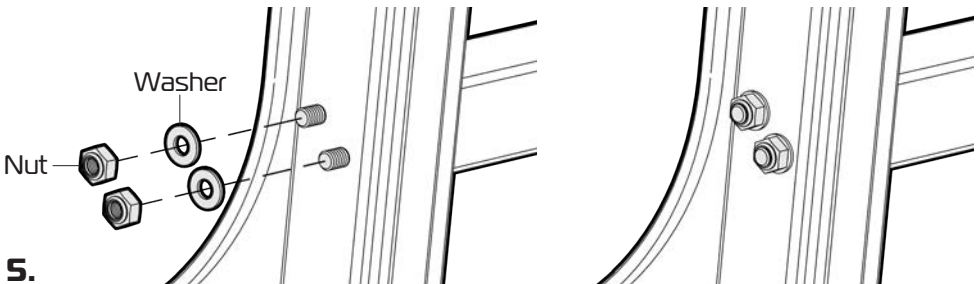
2. Pass the 2 studs on the bottom of the upright through the holes in the base.



3. Fit the small washers over the studs.

4. Hand wind the nuts onto the studs.

Using the spanner supplied tighten the nuts to hold the upright in place.



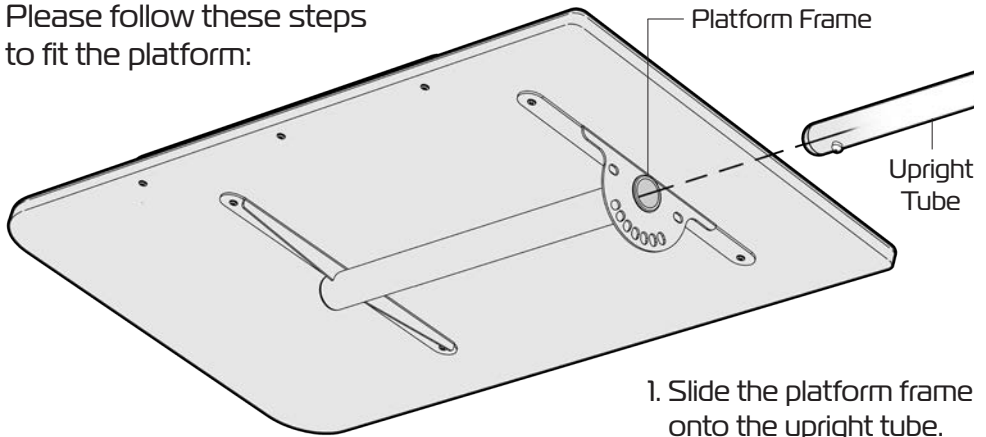
5.

ASK FOR THE BRAND

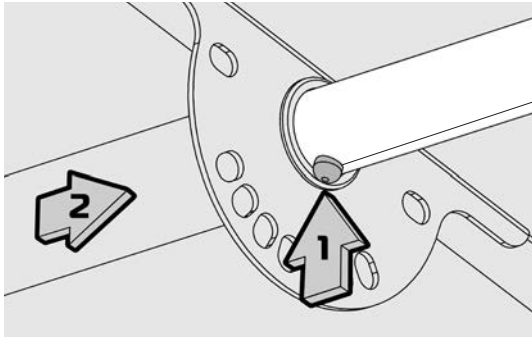
redgumbrand.com.au

# FIT PLATFORM

Please follow these steps to fit the platform:

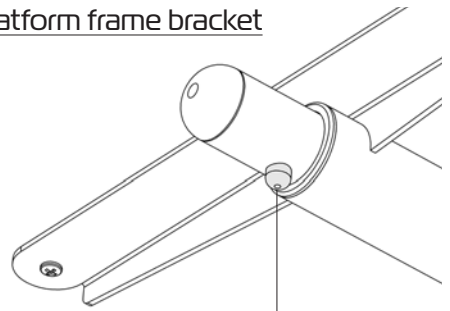
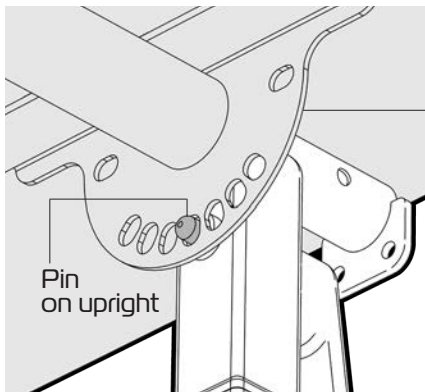


1. Slide the platform frame onto the upright tube.



2. Push in the head of the press button and continue to slide the platform frame onto the upright.

3. Align and slide the central hole in the platform frame bracket over the pin on the upright.



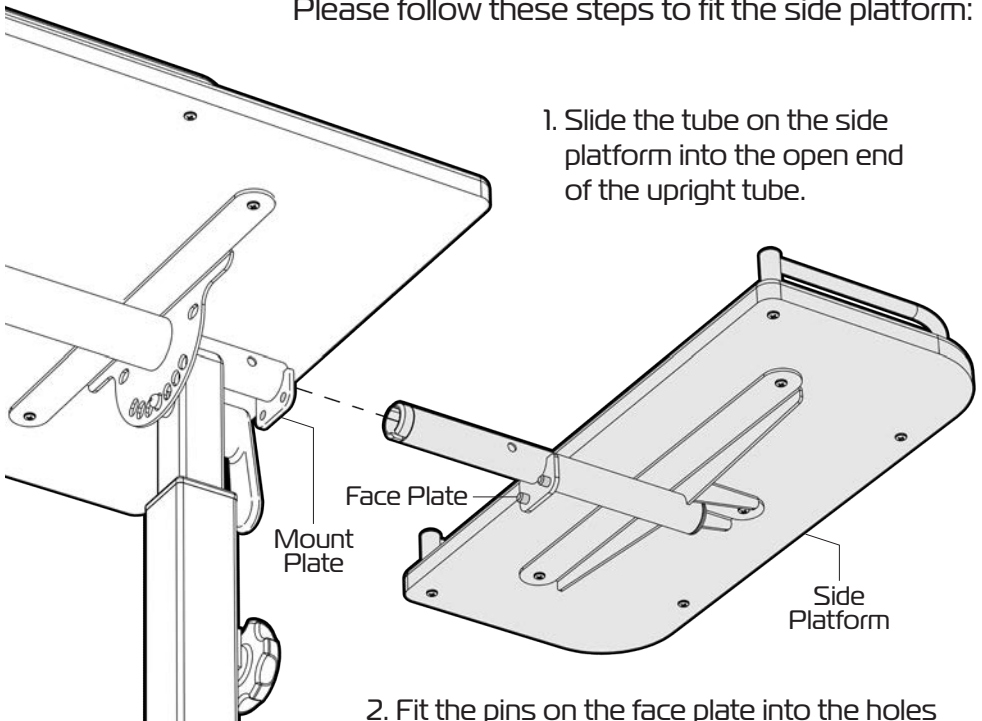
4. Ensure the press button on the end of the upright tube has popped out and retains the platform in place.

6.

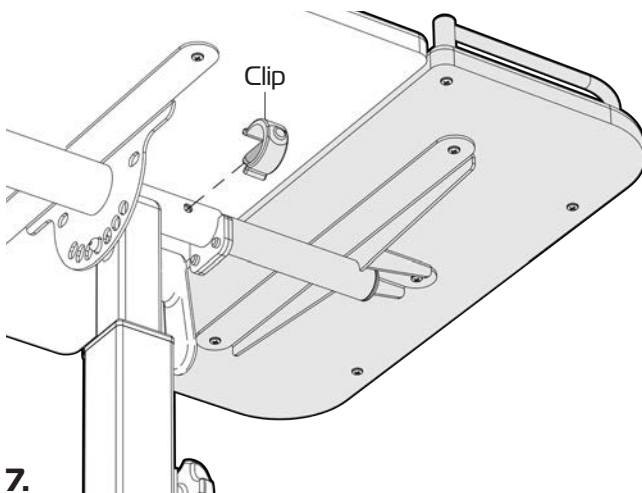
# FIT SIDE PLATFORM

Please follow these steps to fit the side platform:

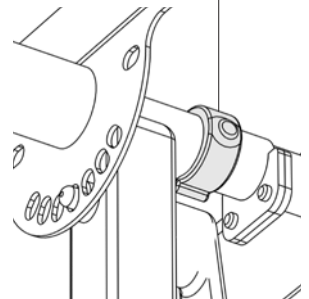
1. Slide the tube on the side platform into the open end of the upright tube.



2. Fit the pins on the face plate into the holes in the mount plate on the upright.



3. Fit the clip to hold the side platform in place.



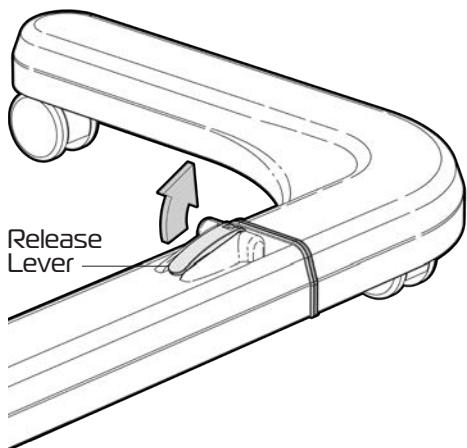
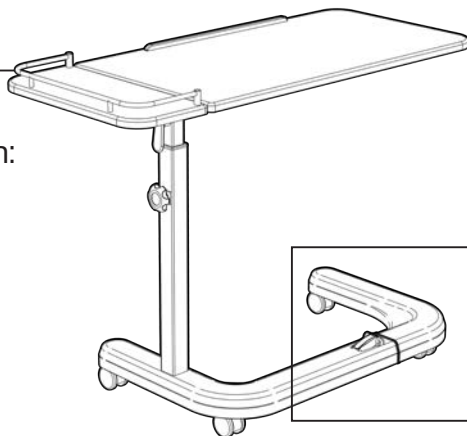
7.

ASK FOR THE BRAND

redgumbrand.com.au

# ADJUST BASE

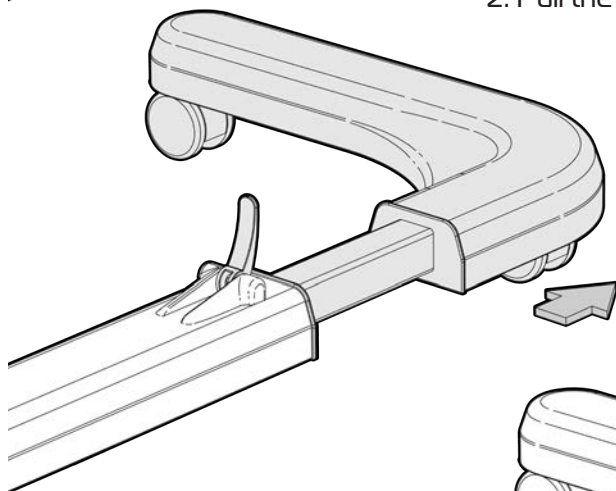
Please follow these steps to adjust the base to the required width:



Release  
Lever

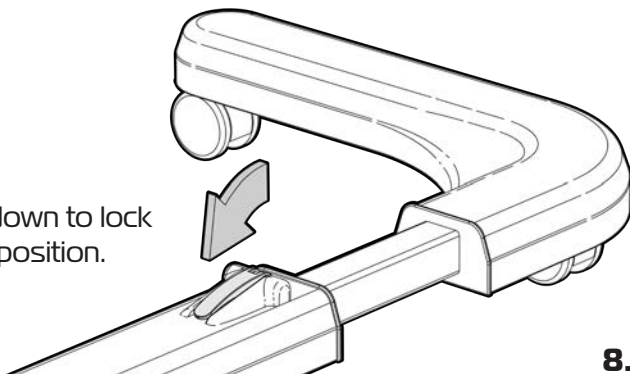
1. Release the brake on the castors so the wheels can swivel.

2. Pull the release lever up.



3. Slide the base out to the required width.

4. Push the release lever down to lock the base in the required position.



8.

# ADJUST PLATFORM HEIGHT

Please follow these steps to adjust the height of the platform:

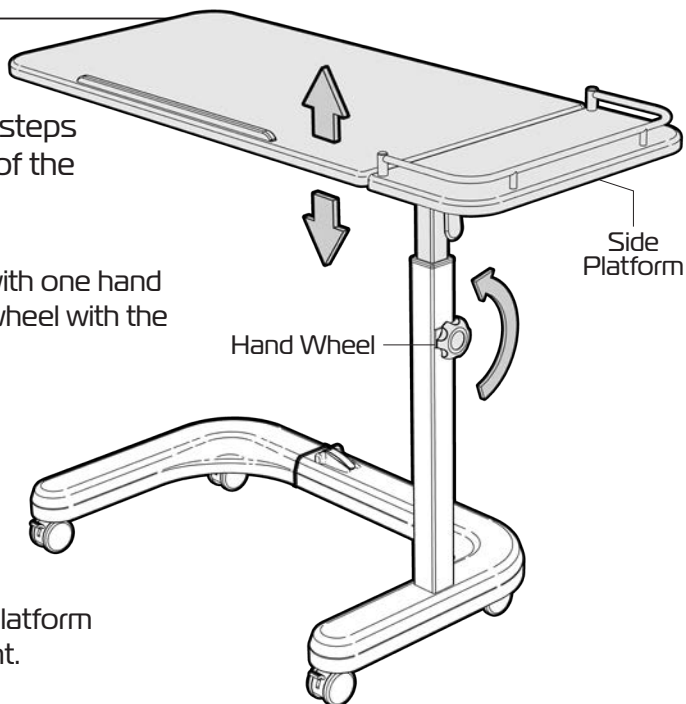
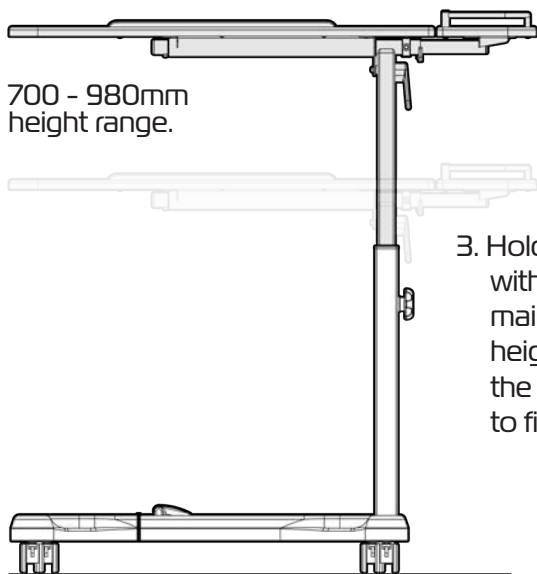
1. Hold the side table with one hand and undo the hand wheel with the other hand.

**Note:**

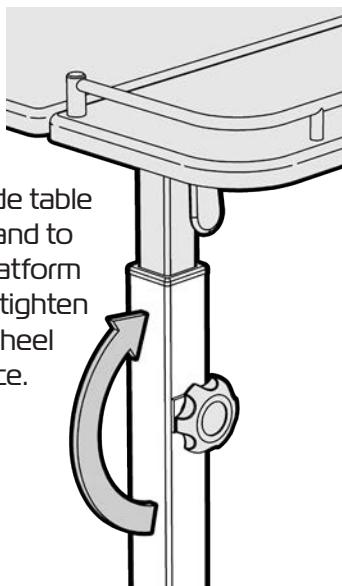
The platform will rise automatically as it is spring loaded.

2. Raise or lower the platform to the required height.

700 - 980mm height range.



3. Hold the side table with one hand to maintain platform height and tighten the hand wheel to fix in place.



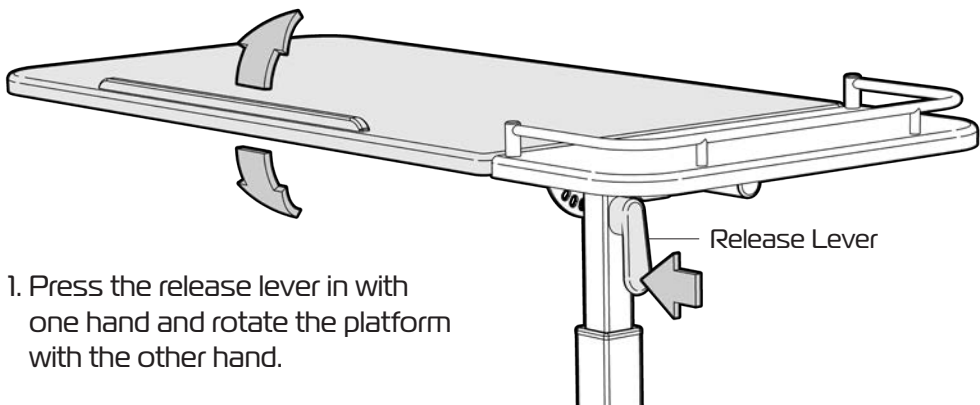
9.

ASK FOR THE BRAND

redgumbrand.com.au

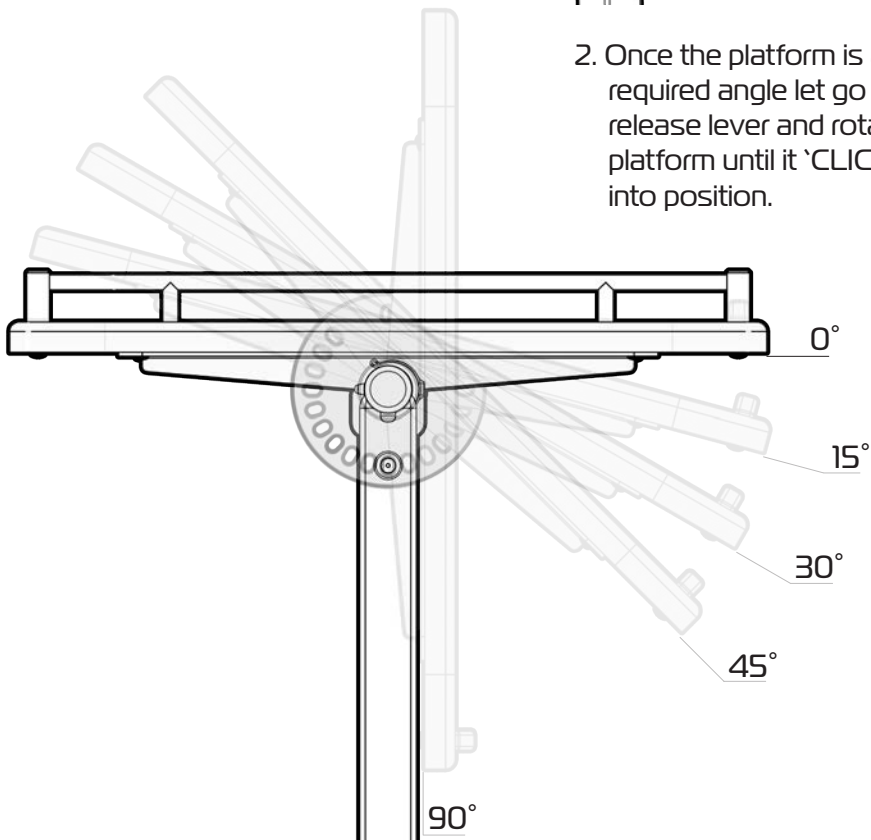
# ADJUST PLATFORM ANGLE

Please follow these steps to adjust the platform angle:



1. Press the release lever in with one hand and rotate the platform with the other hand.

2. Once the platform is at the required angle let go of the release lever and rotate the platform until it 'CLICKS' into position.



# PRODUCT CARE

---

## INSPECTIONS

We suggest that you visually check the Over Bed Chair Table periodically for signs of damage or wear prior to use, paying particular attention to the following areas:

- Platforms
- Frame
- Castors (Ensure they spin freely - remove any hair / lint build up)
- Hand wheel and release lever

Overall check that no components are loose or worn.



**Withdraw the Over Bed Chair Table immediately if you suspect damage or any other fault. If in any doubt, please do not issue or use, but immediately contact your supplier for service support.**

## CLEANING

Clean the Over Bed Chair Table using disinfectant wipes.  
We do not recommend cleaning the product with soap and water.

We recommend that you attend to any required cleaning as soon as possible to reduce the possibility of staining.

Do not use any abrasive cleaners or abrasive cleaning pads as they could potentially damage the Over Bed Chair Table.

If you have any questions about the cleaning of the Over Bed Chair Table please contact your supplier or REDGUM brand direct.

# WARRANTY

---

The REDGUM Brand Over Bed Chair Table (RG626) is covered by a 12 Month Warranty from the date of purchase.

If the product has any manufacturing faults during this period contact the place of purchase for assessment. Failures as a result of **ACCIDENTAL MISUSE, MODIFICATION OR WEAR AND TEAR ARE NOT COVERED BY THIS WARRANTY.**

During the guarantee period, if the company is satisfied there is a genuine fault, we will repair or replace the product at our earliest convenience. There may be freight charges if product needs to be returned to your place of purchase.

In order for this guarantee to be valid, you must:

- Be the original purchaser
- Provide a copy of the original invoice.
- Comply with manufacturer care and maintenance instructions.

Our goods come with guarantees that cannot be excluded under the Australian Consumer Law. You are entitled to a replacement part for a major failure and for compensation for any other reasonably foreseeable loss or damage. You are entitled to have the goods repaired or replaced if the goods fail to be of acceptable quality and failure does not amount to major failure.

Do not modify the Over Bed Chair Table in any way or fit any parts or accessories that are not specified as an option for the product. To do so will void your warranty and may seriously compromise your safety.

If you have any issues or questions about the Over Bed Chair Table please contact your supplier or REDGUM Brand direct on:

T: **+61 8 9248 4180**      E: **orders@for-de.com.au**



**DISTRIBUTOR:**

